



AS 110

multi-chamber window system,
with high thermal insulation

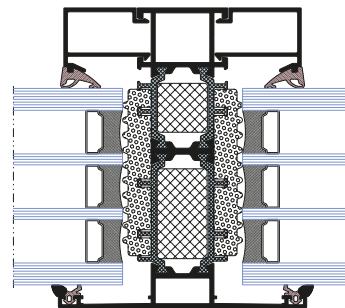
The AS 110 system is designed for windows, balcony doors and window displays with one of the highest thermal insulation on the market.

It's a modern structure developed for using with heavy, triple-chamber glazing. This system also comes with high acoustic insulation and perfect sash static parameters.

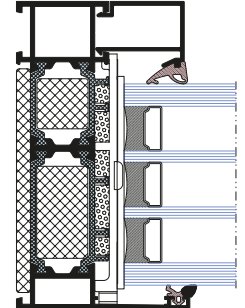


SELECTED FEATURES AND SYSTEM PARAMETERS

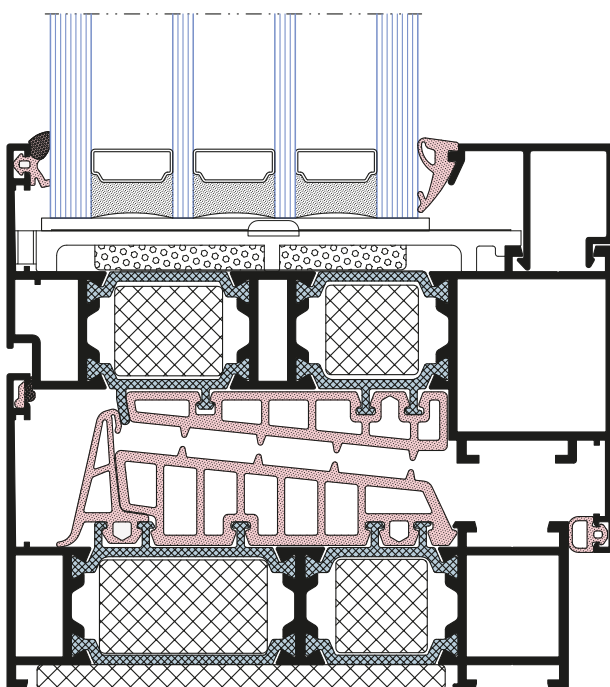
Window frame depth	110 mm
Window sash depth	119 mm
Glazing range	48 to 74 mm
Thermal insulation U_w	from 0,4 W/m ² K
Waterproof	E 1950 Pa
Air permeability	4 class
Wind load resistance	C5/B5



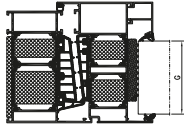
Section of fix window transom



Section of fix window frame



Section of sash window

	U _w [W/m ² K]		
	Triple-chamber glazing U _g =0,3	Two-chamber glazing U _g =0,5 U _g =0,7	
	0,419	0,596	0,752
	0,515	0,658	0,783