



ZANA Center in Lublin

Single-profile facade AF 50

The AF 50 facade system is used for the construction of lightweight curtain walls made using single-profile mullion-mullion technology providing manufacturers with excellent material optimisation.

The solution offers a wide range of design options and is ideal for use in modern buildings. The system uses solutions that guarantee high insulation and airtightness parameters.



SELECTED SYSTEM PARAMETERS

class AE 1500 Pa	class RE 2400 Pa	2400 Pa	+/- 3600 Pa	class E5/I5	42 (-2;-8) dB
Air permeability	Water tightness	Wind load resistance	Safety test	Impact resistance 2-chamber double-glazed window	Acoustics

DESIGN & FUNCTIONALITY



Wide range of decorative strips.



Availability of lintel-window strips with fire resistance of EI 30 and EI 60.



Wide range of corner connections including a sealed transition to the roof.



System solutions for facade assembly: canopies, roller shutters, sliding doors and sun visors.



Profiles and gaskets flushed from the inside of the facade.



3 drainage levels available.



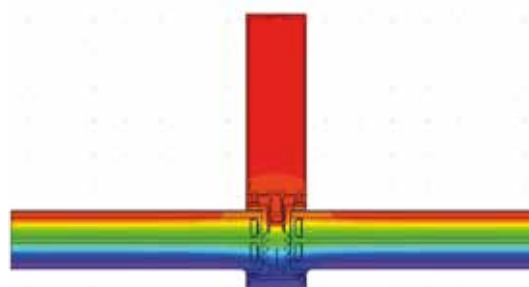
Option to equip the facade with a gutter mounted on a single transom (set of accessories).



Straight-cut transoms to facilitate prefabrication, also for angled connections.



Optimization of material use thanks to single-profile pole-to-pole technology.

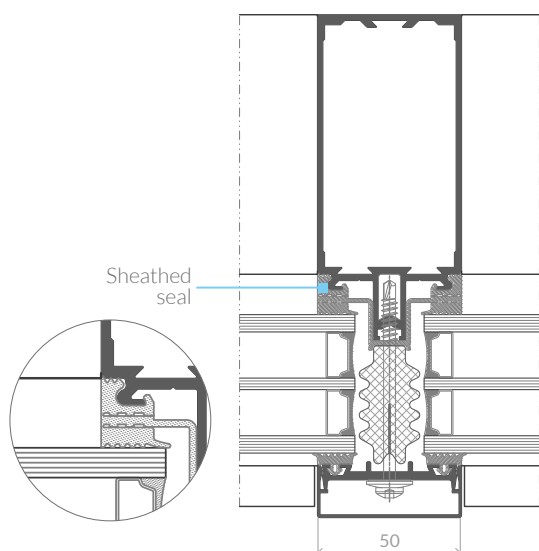


Temperature distribution

SYSTEM CHARACTERISTICS

RC2, RC3	from 0.6 W/m ² K	50 mm	up to 540 kg	up to 64 mm	0-320 mm
Burglary resistance	Thermal insulation of U facade	Width of mullion and transom sections	Load-bearing capacity of glass	Glazing range	Range of depth of mullion and transom sections

Section through the mullion



Section through the transom

