



Sports and Entertainment Hall in Pulawy

## Fire protection facade AF 50EI

The AF 50EI facade system is used to construct lightweight curtain walls. The constructions are made on the basis of single-profile mullion-mullion technology, which provides the manufacturers with excellent material optimisation.

Based on the solution, it is possible to construct flat walls of fire resistance class EI60. Within the system, solutions have been applied that guarantee high water-tightness parameters and resistance to air permeability.



### SELECTED SYSTEM PARAMETERS

from 0.7 W/m <sup>2</sup> K	EI 60	class RE 2400 Pa	2400 Pa	±3600 Pa	AE 1500 Pa
Thermal insulation	Fire resistance	Waterproofing	Wind load resistance	Safety test	Air permeability

# DESIGN & FUNCTIONALITY



Sheathing seal wrapping around the entire socket for superior tightness.



Lintel-window strips available with EI 60 fire resistance.



The solution is compatible with other Aluron systems.



Profiles and gaskets flushed from the inside of the facade.



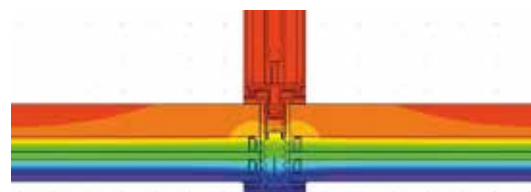
Straight-cut transoms for easier prefabrication, also with angled connections.



Three drainage levels available.



Easy and quick prefabrication.

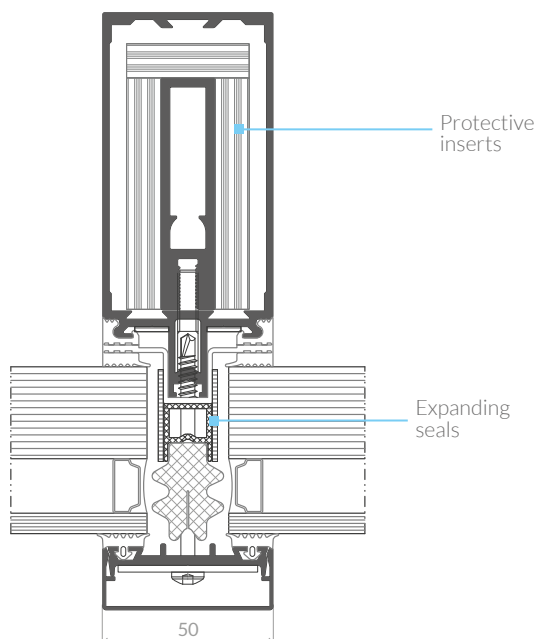


Temperature distribution

## SYSTEM CHARACTERISTICS

RC2, RC3	class ES/I5	50 mm	90-320 mm	up to 64mm	up to 380 kg
Burglary resistance	Impact resistance	Width of mullion and transom sections	Range of depth of mullion and transom sections	Glazing range	Load bearing capacity of glass

Section through the mullion



Section through the transom

